



1-input-1-output passive two-wire 4-20mA isolation transmitter

Features:

- ◆ Small size, low cost, No correction directly use
- ◆ two-port isolation(input, output)
- ◆ 1-input-1-output
- ◆ High accuracy(0.1% F.S, 0.2% F.S)
- ◆ High linearity(0.1% F.S)
- ◆ High isolation voltage(2500VDC/60S)
- ◆ Low temperature drift(35PPM/°C)
- ◆ Low impedance(voltage drop <3V, 20mA)
- ◆ Wide Industrial class operation temperature(-45~+85°C)
- ◆ Wide voltage input (7.5V-32V)
- ◆ High reliability (MTBF>50 Wan hour)
- ◆ Passed CE Certificate
- ◆ International standard signal input and output(4~20mA/0~20mA)

Application:

- ◆ DC current/voltage signal isolation, conversion and amplification
- ◆ Analog signal ground interference suppression and analog isolation, acquisition
- ◆ 4~20mA/0~20mA sensor signal isolation, transformation and signal distribution conversion
- ◆ instrumentation and sensor signal transceiver
- ◆ Two-wire primary/secondary instrumentation signal acquisition and isolation
- ◆ power isolation monitoring industrial site
- ◆ Analog signal data isolation, acquisition, conversion, and distance transmission
- ◆ Industrial field signal isolation and conversion, and distance transmission without distortion
- ◆ power monitoring, medical equipment isolation barrier
- ◆ overcome inverter, large motors, power equipment, acquisition systems, DCS and PLC Field interference

General Description:

JIE Sheng Da Technology **DIN35 1x1 MI 4-20mA** two-wire passive single-channel analog signal isolation transmitter is a signal conditioner with electrical insulation between input and output, it can receive a variety of analog signal from the field instrument, and transmit a standard output signal or user-specified special signal to the control room、PLC、PC or DCS system. The product is isolated between input and output , the isolated voltage is up to 3000VDC .It is widely used in the industrial measurement systems, medical electronic equipment, electrical equipment etc. Adopting high efficiency electromagnetism isolation technology to achieve signal isolation, it is available to keep high output accuracy, good linearity and low temperature drift.

Selections and Definitions:

Product Selection Parameter List:				
DIN35	1x1	MI	4~20mA	Detailed description
Package Marking				Standard DIN35 rail mounting
Channel code				1-input-1-output
Isolation code				Magnetic Isolation Products
current signal Input				4~20mA current signal input
current signal output				4~20mA current signal output



Electrical Characteristics:

Signs	Item	Test Condition	Min	Type	Max	Units	
Isolation characteristics	Isolation voltage	AC,50Hz,(Tested for 1 minute humidity<70% ,leakage current < 1mA,)		3000		V(rms)	
	Insulation resistance	500VDC (input/output)		100		MΩ	
Transmission characteristics	Gain drift			±35	±50	ppm/°C	
	Non-linearity			±0.1	±0.	%FSR	
	Output voltage range		10	24	30	VDC	
	Signal	current	4	20	30	mA	
	Signal	current	4		20	mA	
	Load capacity	current	$RL \leq (U_s - 5) / 0.02$ Us: Loop power supply voltage		250		Ω
	Frequency Response	(Small-signal bandwidth)Io=20mA			50		Hz
	Signal output ripple			5	10	mVRM	
Power input characteristics	Power supply	voltage		—	—	VDC	
		Power loss		—	—	W	
		Range		—	—	%	
Other characteristics	soldering	Solder from the shell 1.5mm,10s			300	°C	
	operating		-45		85	°C	
	storage temperature		-55		105	°C	
	weight			60		g	
	size		94*21.83*47				mm
Note	Normal load $\leq 300\Omega$						

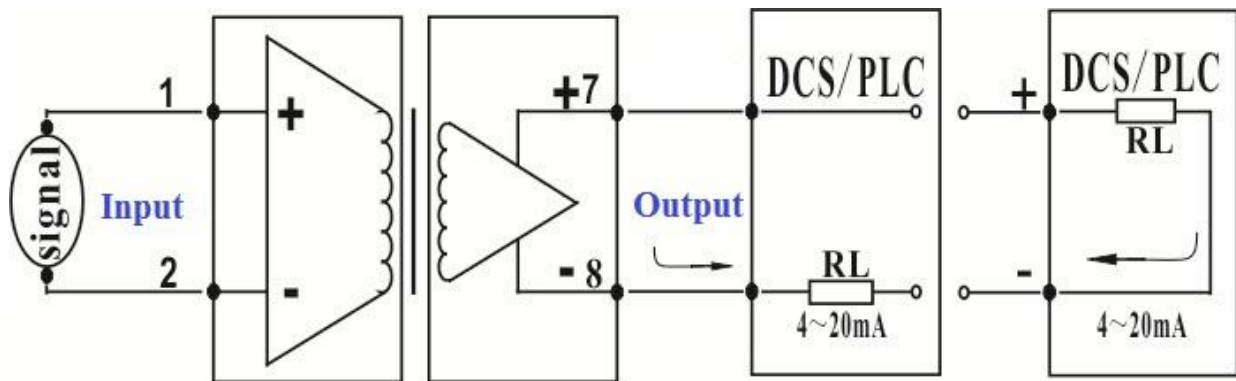
Selection Example:

- 1、 Signal input 1:4-20mA; signal output 1:4-20mA; Model: DIN35 1x1 MI 4-20mA
- 2、 Signal input 1:0-20mA; signal output 1:0-20mA; Model: DIN35 1x1 MI 0-20mA

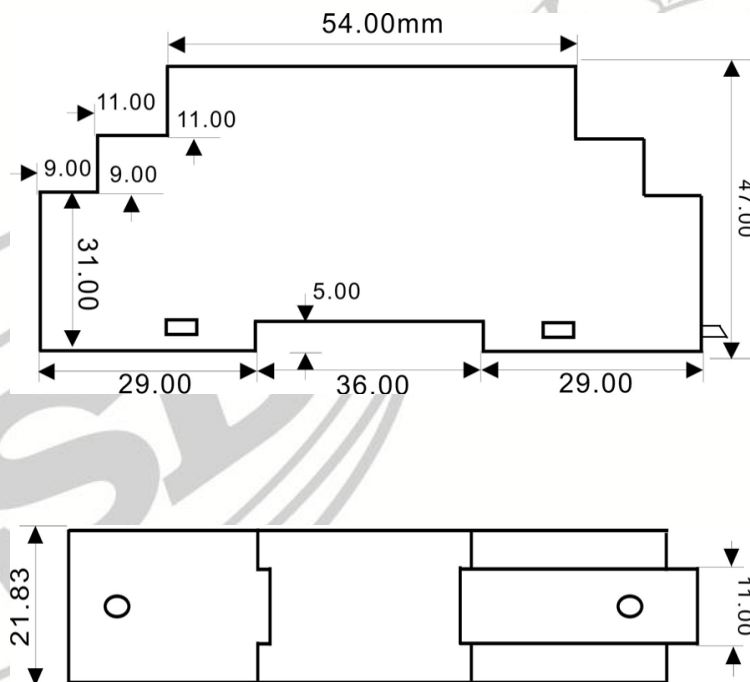
Pins Function Description:

Outputting types	Pin	Function	Pin	Function	Storage
Single channel passive 4-20mA current output	1	Signal input +	5	NO PIN(NC)	Standard DIN35 rail mounting
	2	Signal input -	6	NO PIN(NC)	
	3	NO PIN(NC)	7	Signal output +	
	4	NO PIN(NC)	8	Signal output -	

Application Wiring Diagram:



Product Dimensions:



Notes:

- 1、 Please read the user manual carefully before using. If any question please contact our technical support department.
- 2、 Please do not use this product in hazardous area. The power supply of this product should be 24VDC power source. It is forbidden to use 220VAC power supply.
- 3、 Calculating from the date of delivery, during normal use of the product, any quality problems are free repair or replacement by Company during 3 years warranty,
- 4、 To avoid invalid, or any failure, users disassemble this product is forbidden
- 5、 the product is strictly forbidden demolish without permission for not damage
- 6、 All specifications measured at $T_a=25\text{ }^\circ\text{C}$, humidity<75%, nominal input voltage and rated output load unless otherwise specified.
- 7、 In this datasheet, all the test methods of indications are based on corporate standards.