



2-input-2-output high accuracy isolation transmitter(AC power supply series)

Features:

- ◆ Small size, low cost, international standards DIN35mm rail mounting
- ◆ Six-port isolation (input, output and power supply)
- ◆ 2-input- 2-output ,isolated between channels
- ◆ High accuracy (0.1% F.S, 0.2% F.S)
- ◆ High linearity (0.1% F.S)
- ◆ High isolation voltage (2500VDC/60S)
- ◆ Low temperature drift (35PPM/°C)
- ◆ Wide Industrial class temperature (-45~+85°C)
- ◆ High reliability (MTBF>50 Wan hour)
- ◆ Power supply:220VAC or 5V/12V/15V/24VDC
- ◆ International standard signal input and output (0~5V/4~20mA/0~±10V/0~±20mA etc.)

Applications:

- ◆ DC current/voltage signal isolation, conversion and amplification
- ◆ Analog signal ground interference suppression and analog isolation, acquisition
- ◆ 4~20mA/0~5V/1~5V/0~±10V/0~±20mA sensor signal isolation, transformation, distribution
- ◆ Instrumentation and sensor signal transceiver
- ◆ Power isolation monitoring industrial site
- ◆ Analog signal isolation, acquisition, conversion and long-distance transmission
- ◆ Industrial field signal isolation and conversion, and long-distance transmission without distortion
- ◆ Power monitoring, medical equipment isolation barrier
- ◆ Overcome inverter, large motors, power equipment, acquisition systems, DCS and PLC field interference

General Description:

Jieshengda Technology (**JSD**) **JSD TAM-2502** series high accuracy isolation transmitter adopts 220VAC power supply, it is a signal conditioner with electrical insulation between input and output. It can receive a variety of analog signal from the field instrument, and transmit a standard output signal or user-specified special signal to the control room、 PLC、 PC or DCS. The product is isolated between power supply, input and output, the isolated voltage between them is up to 2500VDC .it is six-port isolation, It is widely used in the industrial measurement systems, power, chemical, aerospace control, environmental protection, oil exploration, analog signal isolation, transmission, transformation, distribution and collection.etc. Adopting high efficiency electromagnetism isolation technology to achieve signal isolation, transmission, transformation, distribution and acquisition, it is available to keep high output accuracy, good linearity and low temperature drift. Suitable for using in vibration, damp industrial field, the standard DIN35mm rail mounting for easy user installation. **DC power supply are another series products , special can customize**

Product Selection Parameter List:

signal input code:		Power supply code:		output signal code:	
Voltage(VDC)	Current(mA)	5:	220VAC	1:	4~20mA
1: 0~5V	A: 0~1mA			2:	0~20mA
2: 0~10V	B: 0~10mA			3:	-20~+20mA
3: 0~75mV	C: 0~20mA			4:	0~5V
4: 0~2.5V	D: 4~20mA			5:	0~10V
5: 0~±5V	E: 0~±1mA			6:	1~5V
6: 0~±10V	F: 0~±10mA			7:	0~±5V
7: 0~±100mV	G: 0~±20mA			8:	0~±10V
U: User-defined	U: User-defined	U:	User-defined	U:	User-defined



Selection Example:

- Example 1: Signal Input 1: 4-20mA; Signal Input 2: 4-20mA; Signal Output 1: 4-20mA;
Signal Output 2: 4-20mA; Power Supply: 220VAC; Model: JSD TAM-2502-D51
- Example 2: Signal Input 1: 0-10VDC; Signal Input 2: 0-10VDC; Signal Output 1: 0-5VDC;
Signal Output 2: 0-5VDC; Power Supply: 220VAC; Model: JSD TAM-2502-254
- Example 3: Signal Input 1: 0-2.5VDC; Signal Input 2: 0-2.5VDC; Signal Output 1: -20~+20mA;
Signal Output 2: -20~+20mA; Power Supply: 220VAC; Model: JSD TAM-2502-453
- Example 4: Signal Input 1: 0-5VDC; Signal Input 2: 0-5VDC; Signal Output 1: 4-20mA;
Signal Output 2: 4-20mA; Power Supply: 220VAC; Model: JSD TAM-2502-151
- Example 5: Signal Input 1: 0-±10VDC; Signal Input 2: 0-5VDC; Signal Output 1: 0-±10VDC;
Signal Output 2: 0-20mA; Power Supply: 220VAC; Model: JSD TAM-2502-658-152

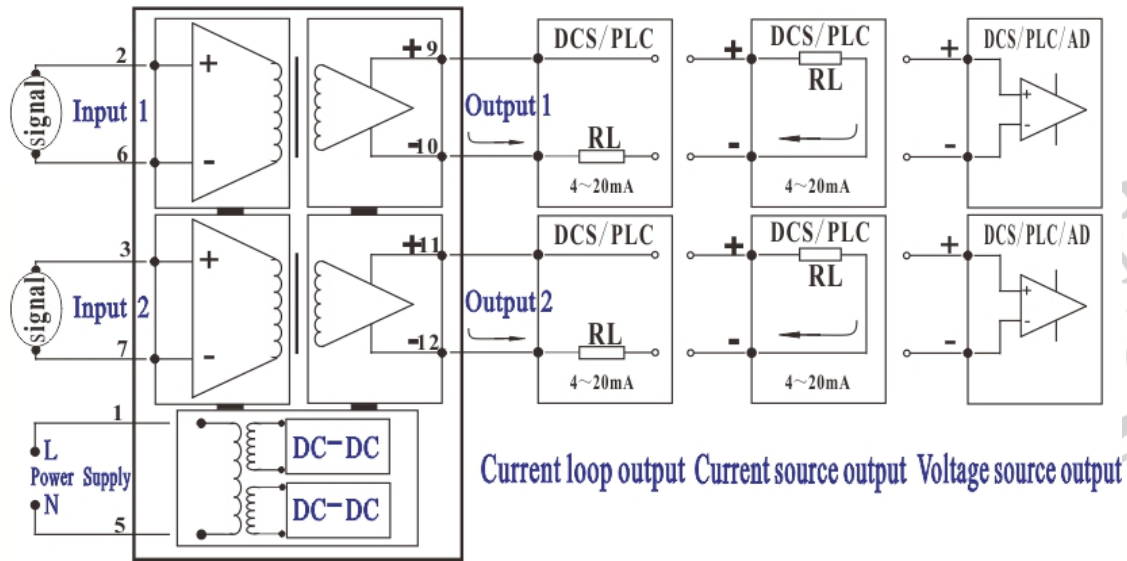
Electrical Characteristics:

Signs	Item	Test Condition	Min	Type	Max	Units
Isolation characteristics	Isolation voltage		AC,50Hz,(Tested for 1 minute humidity<70%, leakage current < 1mA)	2500		V(rms)
	Transmission characteristics		Gain error		1	
		Gain drift Non-linearity		35		ppm/°C
		Non-linearity		0.1	0.2	%FSR
Input characteristics	Signal input	voltage	0		15	V
		current	0		30	mA
	Input offset voltage			2	5	mV
	Input impedan	voltage		1		M
		current			50	Ω
Output characteristics	Signal output	voltage	-10		10	V
		current	-20		20	mA
	Load capacity	voltage	Vout=10V	2		kΩ
		current		0	350	500
		Signal output ripple	Unfiltered	10	20	mVRMS
Power input	Power supply	Voltage	90	220	264	VDC
		Power loss		1.5		W
Other characteristics	operating temperature			-45	85	°C
	storage temperature			-55	105	°C
	Weight				148	g
Note:	Normal load ≤ 350Ω, if required load 500Ω, please note when ordering .					

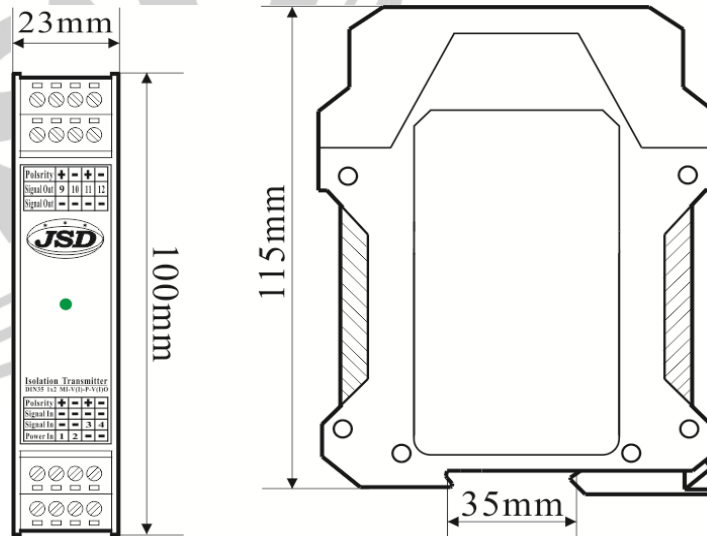
Pin Function Description:

Signal Type	Pin	Function Description	Pin	Function Description	Package
1-input-2-output Voltage /Current	1	Power supply L	9	Signal Output + 1	International Standard DIN35 Rail Mounting
	2	Signal Input + 1	10	Signal Output - 1	
	3	Signal Input + 2	11	Signal Output + 2	
	4	(NC)	12	Signal Output - 2	
	5	Power supply N	13	(NC)	
	6	Signal Input - 1	14	(NC)	
	7	Signal Input - 2	15	(NC)	
	8	(NC)	16	(NC)	

Application Wiring Diagram:



Product Dimensions:



Notes:

- 1、 Please read the user manual carefully before using. If any question please contact our technical support department.
- 2、 Please do not use this product in hazardous area. The power supply of this product should be 220AC “NC” pin can not be connected to any external circuit, or it will damage the product itself;
- 3、 Calculating from the date of delivery, during normal use of the product, any quality problems are free repair or replacement by Company during 3 years warranty, To avoid invalid, or any failure, users disassemble this product is forbidden
- 4、 the product is strictly forbidden demolish without permission for not damage
- 5、 All specifications measured at Ta=25°C, humidity<75%, nominal input voltage and rated output load unless otherwise specified.
- 6、 In this datasheet, all the test methods of indications are based on corporate standards.