



1-in-1-out Frequency Pulse Signal to Analog Signal Isolation Transmitter

(F/V、F/I Frequency Pulse converter)

Features:

- ◆ Low cost, thin design, international standards DIN35mm rail mounting
- ◆ Three-port isolation (input, output and power supply)
- ◆ Passed CE Certificate (Report number:CTE15FR-546E)
- ◆ High accuracy (0.1% F.S, 0.2% F.S)
- ◆ High linearity (0.1% F.S),
- ◆ High isolation voltage (3000VDC/60S)
- ◆ Low temperature drift (80PPM/°C)
- ◆ Industrial class operation temperature (-45~+85°C)
- ◆ Ultra-wide range power supply design (9~36VDC single power)
- ◆ International standard signal input (0~20KHz/0~15KHz/0~10KHz/0~5KHz/1~5KHz/0~2.5KHz etc.)
- ◆ International standard signal output(0~5V/0~10V/1~5V/0~20mA/4~20mA)

Application:

- ◆ Converting the square wave,sine wave,sawtooth wave into international standards analog signals
- ◆ Converting unit pulse signal into DC voltage (current) signal
- ◆ Signal ground interference suppression and analog isolation,acquisition,conversion and long-distance transmission
- ◆ Industrial signal isolation and long-distance transmission without distortion
- ◆ Instrumentation and sensor signal transceiver
- ◆ Motor speed monitoring and testing
- ◆ Power monitoring and signal acquisition
- ◆ Overcome interference and analog signal acquisition between various devices, isolation, transformation and long-distance transmission
- ◆ Monitoring and measuring various frequency pulse signal equipment

General Description:

Jieshengda Technology(JSD) **JSD TFA-1001** ultra-thin series 1-in-1-out frequency pulse signal to analog signal converter(F/V converter) is a high accuracy isolation transmitter. it can isolate and transform the inputting pulse signal (square wave, sine wave, sawtooth wave) into international standards analog current/voltage signal and long-distance transmission without distortion to the control room(such as:PLC,DCS,AD,PC acquisition cards) with corresponding digital pulse frequency signal. its internal integrated multiple low-power high precision high efficiency DC-DC converter to supply power to the input and output, the pulse signal converter is adopted SMD chip technology and modular design makes its isolation voltage between input/output and power supply is up to 3000VDC, **JSD TFA-1001S** series F/V pulse signal converter is adopted high-voltage clamp to the inputting frequency signal. current mode convert into frequency signal has a higher Anti-jamming performance compare to voltage mode, the pulse converter uses two input forms: pulse signal input and open collector input for compatible with more frequency pulse sensor, instrumentation equipment. Pulse converter is adopted international standards DIN35mm rail installation for user-friendly control panel installed. For dual-channel F/V converter Please choose **JSD TFA-2002** series, analog to frequency pulse signal (V/F converter) please choose ultra-thin series **JSD TAF-1001S**, conventional series **JSD TAF-1001**, **JSD TAF-1002**, **JSD TAF-2002** series.



Selections and Definitions :

Product Selection Parameter List:					
Frequency signal input code		Power supply code		Signal output code	
1:	0-5KHz (5V voltage pulse)	W:	9-36VDC	1:	4-20mA
2:	0-10KHz (5V voltage pulse)	1:	24VDC	2:	0-20mA
3:	0-20KHz (5V voltage pulse)	2:	15VDC	3:	0-10mA
4:	1-5KHz (5V voltage pulse)	3:	12VDC	4:	0-5VDC
5:	0-5KHz (Open collector)	4:	5VDC	5:	0-10VDC
6:	0-10KHz (Open collector)			6:	1-5VDC
7:	0-20KHz (Open collector)				
8:	1-5KHz (Open collector)				
U:	user-defined	U:	user-defined	U:	user-defined
Note:	When ordering ,please determine input、 output and power , special can be customized				

Selection Example:

Example 1: Signal Input: 0-10KHz(5V voltage pulse); Signal Output: 0-10VDC; Power Supply: 12VDC; Model: JSD TFA-1001-235

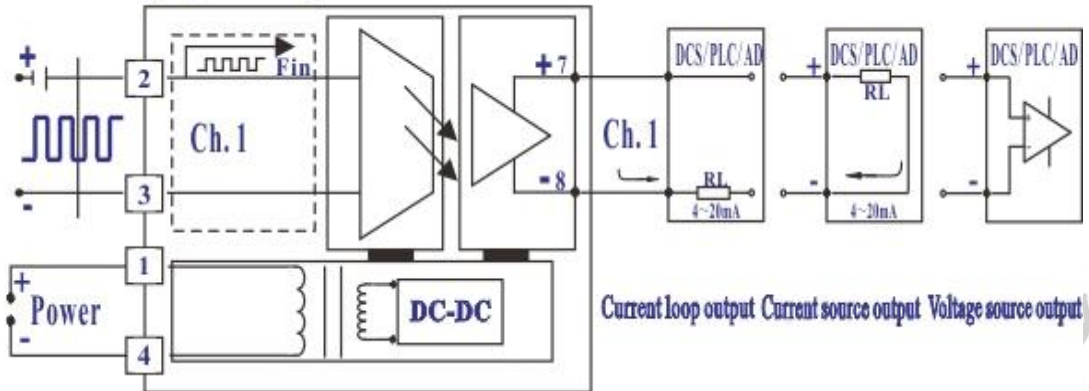
Example 2: Signal Input: 0-15KHz(Open collector); Signal Output: 0-20mA; Power Supply: 9-36VDC; Model: JSD TFA-1001-UW2

Electrical Characteristics:

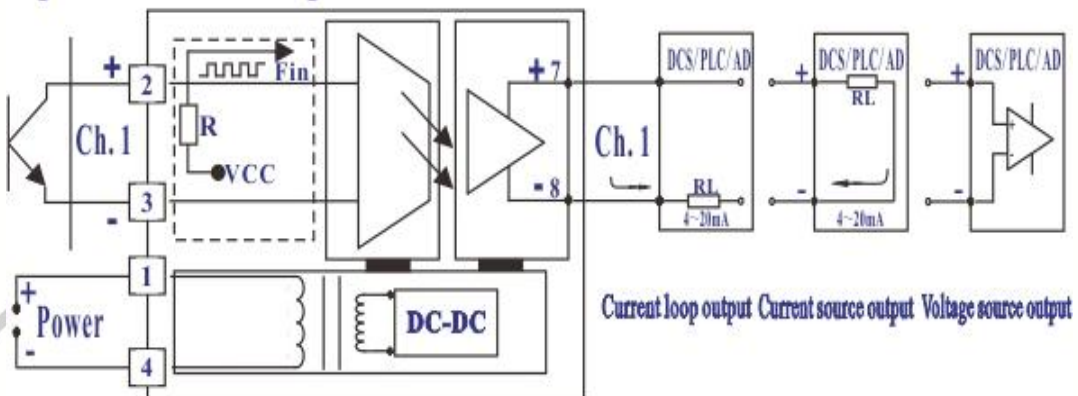
Signs	Item	Test Condition	MIN	TYPE	MAX	UNIT	
Isolation characteristics	Isolation voltage	AC,50Hz,(Tested for 1 minute, humidity<70%, leakage current< 1mA)		3000		V(rms)	
	Insulation resistance		≥20			MΩ	
Transmission characteristics	Gain drift			80		ppm/°C	
	Non-linearity			0.1	0.2	%FSR	
Input characteristics	Signal input		20	1000	10000	Hz	
	Pulse voltage	High level: 3.0 ~ 5.5V Low level: < 0.5V				V	
	Input impedance	pulse		100			KΩ
Open			100			KΩ	
Output characteristics	Signal out	voltage	0	10		V	
		current	0	20		mA	
	Load capacity	voltage	Vout=10V		2		kΩ
		current		0	350	500	Ω
	Output ripple	Signal output ripple			10	20	mVRM
Response time				≤50		mS	
Power input characteristics	Power supply	voltage	3.3	24	36	VDC	
		Power loss		1		W	
		range	-10		+10	%	
Other	Operating temperature		-45		85	°C	
	Storage temperature		-55		105	°C	
	Weight			107		g	
	Size			115x100x17.5		mm	
Note :	Normal load ≤350Ω, if the required load is 500Ω, please note when ordering						

Application Wiring Diagram:

5V voltage puls input

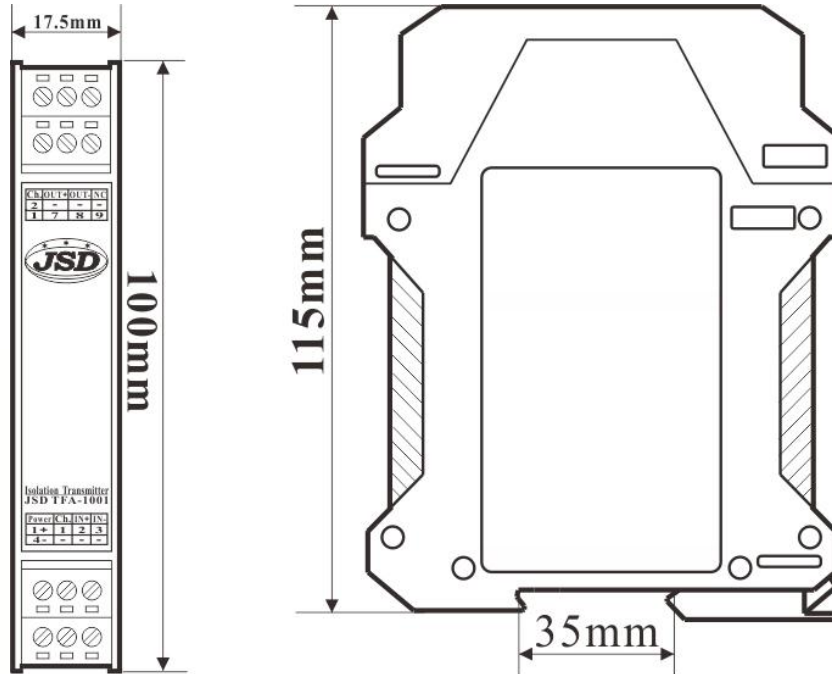


Open collector input



Pin Function Description:

Signal output Type	Pin	Function	Pin	Function	Package
Voltage/current	1	Power+	7	Signal Out +	International Standard DIN35 Rail Mounting
	2	Signal In +	8	Signal Out -	
	3	Signal In -	9	No pin (NC)	
	4	Power -	10	No pin (NC)	
	5	No pin (NC)	11	No pin (NC)	
	6	No pin (NC)	12	No pin (NC)	

Dimensions:**Notes:**

- 1、 Please read the user manual carefully before using. If any question please contact our technical support department.
- 2、 Please do not use this product in hazardous area. The power supply of this product should be DC power source. It is forbidden to use 220VAC power supply. "NC" pin must not be connected to any external circuit, otherwise it will damage the product itself;
- 3、 This product layout dimension are "mm" and "inch" as the unit, within "[]" are inch;
- 4、 Calculating from the date of delivery, during normal use of the product, any quality problems are free repair or replacement by company during 3 years warranty,
- 5、 the product is strictly forbidden demolish without permission for not damage
- 6、 All specifications measured at Ta=25 °C, humidity<75%, nominal input voltage and rated output load unless otherwise specified.
- 7、 In this datasheet, all the test methods of indications are based on corporate standards.